



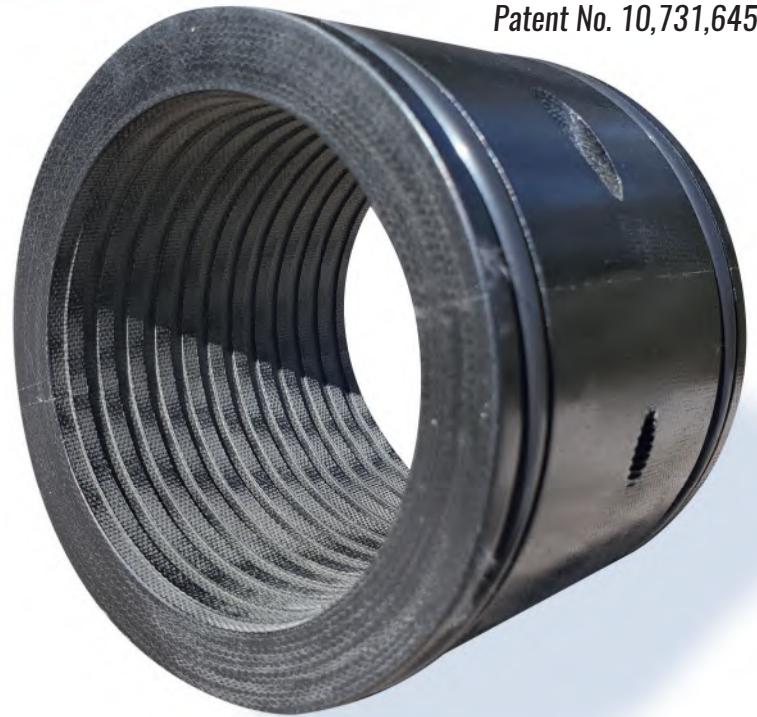
Reduce Shaft Deflection!

NEW

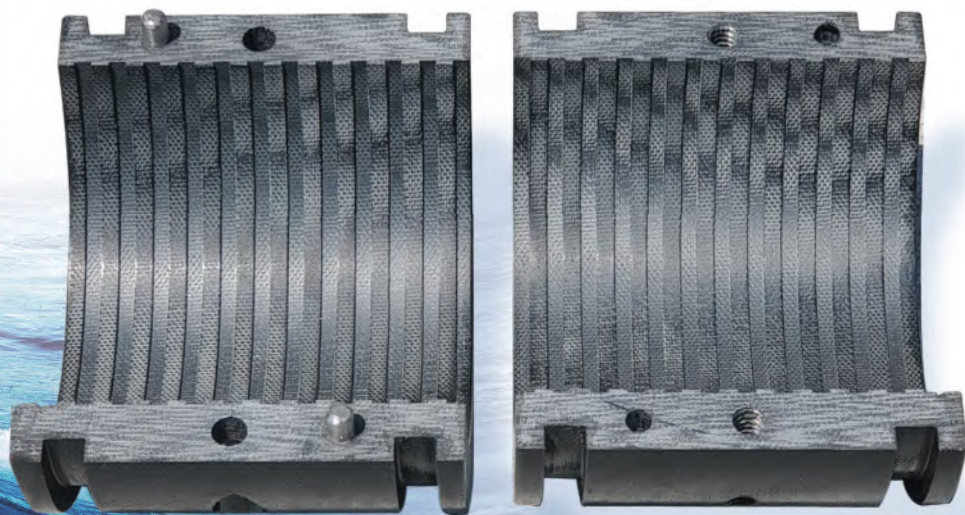
Stabilizing Bushings for All Pumps & Rotating Equipment

Patent No. 10,731,645-B1

- ▶ Reduces Shaft Deflection
- ▶ Reduces Pressure in the Seal Chamber
- ▶ Protects Mechanical Seals
- ▶ Eliminates Seal Erosion
- ▶ Increases Bearing Life
- ▶ Increases Seal Life
- ▶ Extends Motor Life
- ▶ Removes Air and Heat
- ▶ Structural Composite
- ▶ Reduces Vibration
- ▶ Split for Easy Installation
- ▶ Prevents Contaminants



SIMSITE® Structural Composite Stabilizing Bushings



SIMSITE[®]

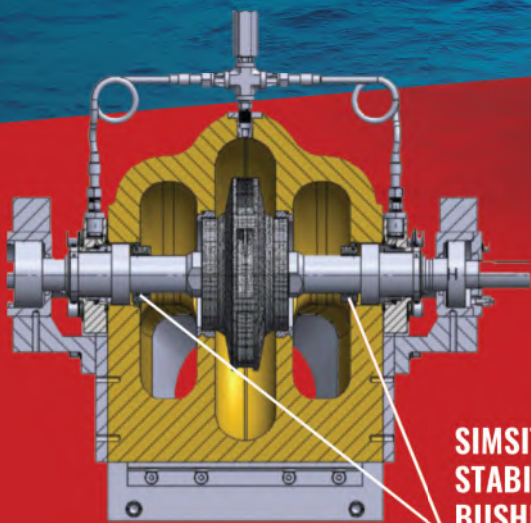
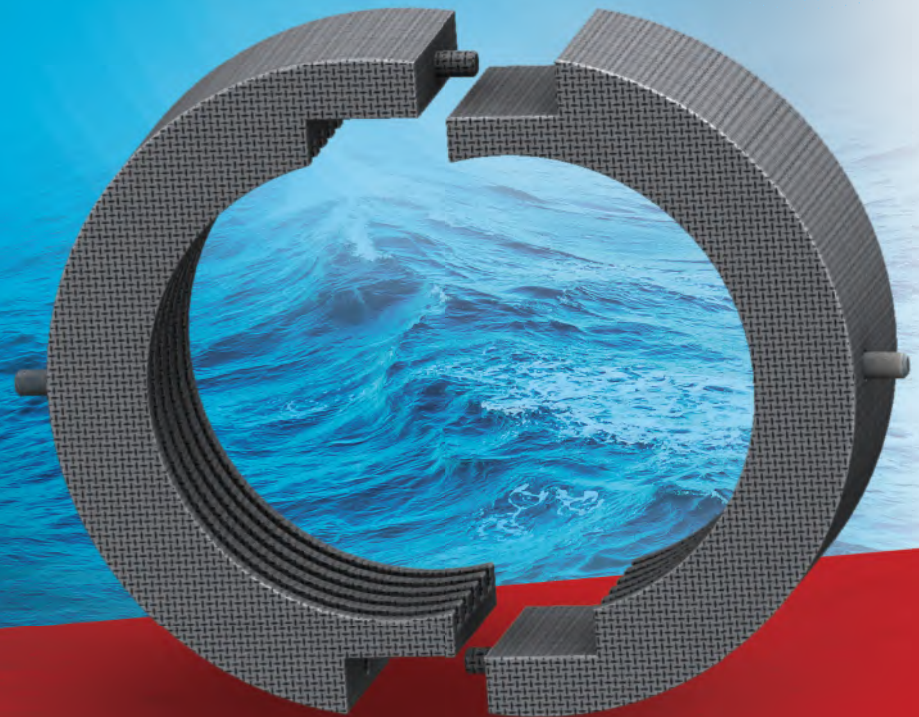
Patented!

No. 10,731,645-B1

NEW

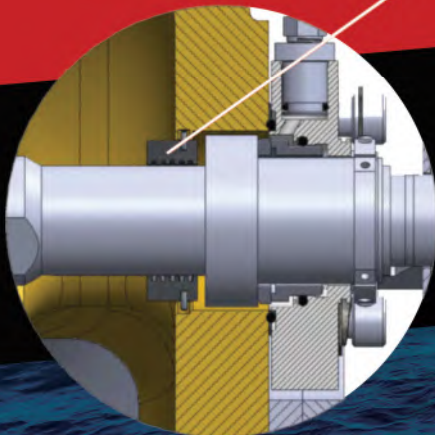
Stabilizing Bushings

Any Shaft, or
Rotating Element
can now be secured
with **SIMSITE[®]**
Structural Composite
**SPLIT STABILIZING
BUSHINGS!**



SIMSITE[®]
STABILIZING
BUSHINGS

The **SIMSITE[®]** Split Stabilizing Bushing is 100% machined on the outside as well as the inside from two solid blocks of **SIMSITE[®]** Structural Graphite Composite. This stabilizing bushing is NOT cast, or molded. The two halves of the stabilizing bushing are 100% concentric with each other and can easily be manufactured to specific bore and shaft sizes.



Sims
SINCE 1919

Any Shaft, or Rotating Element can now be secured with SIMSITE® Structural Composite Split Stabilizing Bushings!

The **SIMSITE®** Split Stabilizing Bushing Reduces Shaft Deflection and Vibration, and is 100% machined on the outside as well as the inside from solid blocks of the patented **SIMSITE®** Structural Graphite Composite. This **SIMSITE®** Split Stabilizing Bushing is not cast, or molded. The two halves of the stabilizing bushing are 100% concentric with each other and can easily be manufactured to specific bore and shaft sizes.

The **SIMSITE®** Structural Composite Split Stabilizing Bushing is pressed into the stuffing box (mechanical seal chamber). For uneven Seal Chambers the **SIMSITE®** Split Stabilizing Bushing has O-rings on the outer diameter. **SIMSITE®** Stabilizing Bushings can be manufactured to any size, or shape to fit any seal chamber!

- ▶ *Ideal for Split Seals, Cartridge Seals, or for Packed Pumps*
- ▶ *Made from SIMSITE® Structural Graphite Combination-fiber*
- ▶ *Composite for maximum Strength and Stability*
- ▶ *Loose Graphite is embedded in the Sightsite® Split Structural Composite Stabilizing Bushings for Better Lubricity*
- ▶ *Radial Grooves on the Inside Diameter to Reduce Pressure into the Seal Chamber and to Prevent Particulates from damaging the Seal Faces*
- ▶ *Axial Grooves for Better Lubrication and for Venting Air and Heat*
- ▶ *Split Design for Easy Installation*



WHEN ONLY THE BEST WILL DO!

*A tradition of innovation continues...
...you can achieve the ideal!*



SIMS
SINCE 1919

SIMS Pump Valve Company

1314 Park Avenue

Hoboken, NJ 07030

201-792-0600

201-792-0606

www.SIMSITE.com

www.PUMPIMPELLERS.com

Simspump@Simsite.com

Simsite@Simsite.com

